

## Ultra Wide Band VCO

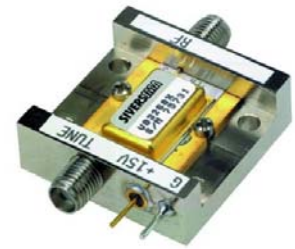
*"A solution not just a Component"*



### Features

- Low phase noise
- Excellent pushing and pulling
- Low spurious
- Hermetic thin film technology
- Individual recorded data available for each unit

US Patent number 5994983



Also available with SMA adapter

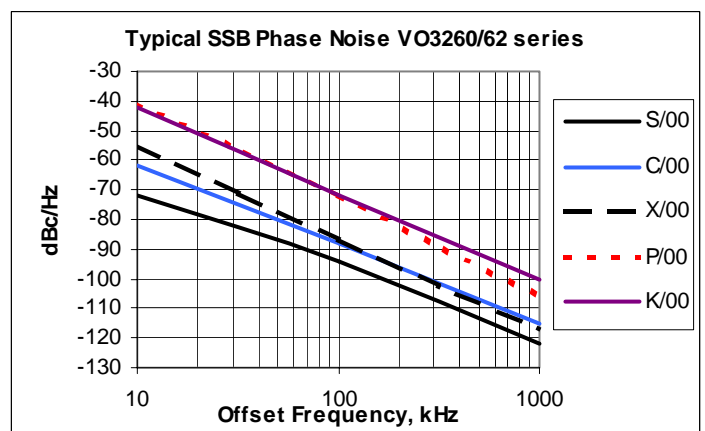
### General description

The oscillator series from S- to K-band covers from 3 to 24 GHz in only five units! (Extended versions and variants are available from 2 to 25.5 GHz on request). The oscillators are all fundamental frequency versions and all have built-in regulators, buffer amplifiers and output filters. All oscillators are available with SMA adapters and in two output power versions.

The quality level is "military" and the temperature range can easily be extended to cover -40°C to +85°C. However, the standard units are tested and specified to cover a temperature range of 0°C to 60°C.

### Typical applications are:

- Microwave instruments
- Sensors
- Radar equipment
- Microwave communication equipment
- ECM (Electronic counter measure)



Nov 1, 2005

## Ultra Wide Band VCO

### List of Ultra Wide Band VCO models.

Model	Frequency	Output
VO3260S/00	3.0 – 5.0 GHz	14-19 dBm
VO3260C/00	5.0 – 8.4 GHz	14-19 dBm
VO3260X/00	8.4 – 13.5 GHz	14-19 dBm
VO3260P/00	13.5 – 20.0 GHz	14-19 dBm
VO3260K/00	20.0 – 24.0 GHz	14-19 dBm
VO3262S/00	3.0 – 5.0 GHz	21-28 dBm
VO3262C/00	5.0 – 8.4 GHz	21-28 dBm
VO3262X/00	8.4 – 13.5 GHz	21-28 dBm
VO3262P/00	13.5 – 20.0 GHz	21-28 dBm
VO3262K/00	20.0 – 24.0 GHz	21-28 dBm

Detailed data specifications are available at our web site, [www.siversima.com](http://www.siversima.com)

### SMA Adapter

Model	Frequency	Output
SL24308	2.0 – 24.0 GHz	14-28 dBm

### Customized versions

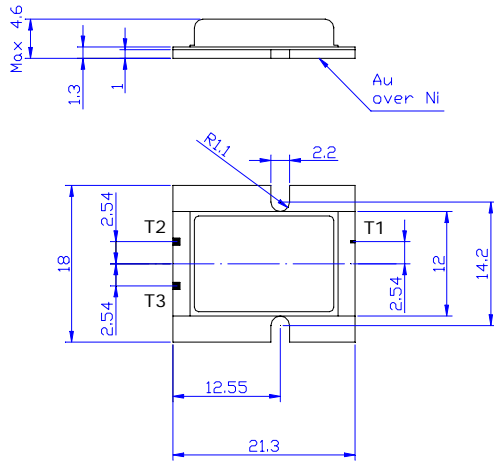
The VCO:s above are examples of our wide band VCO family. For special requirements, tailored to your needs and application, please contact our sales department.

Nov 1, 2005

# Ultra Wide Band VCO

## Drawings

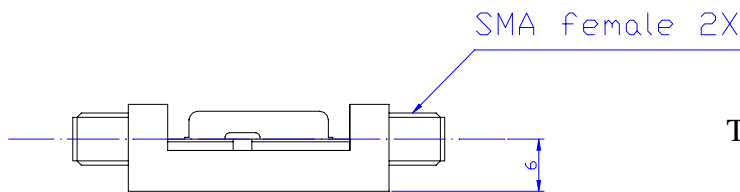
VCO in hermetic package



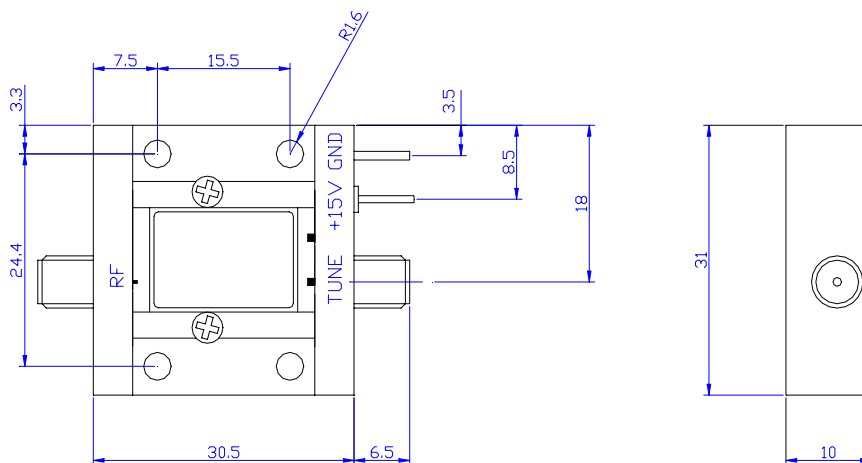
Tolerances +/- 0.05 mm

T1	RF Out (50 Ω)	Bond Pad	0.25 x 0.50 mm
T2	Tuning Voltage	Bond Pad	0.80 x 0.80 mm
T3	Bias Voltage	Bond Pad	0.80 x 0.80 mm

VCO with SMA adapter



Tolerances +/- 0.1mm



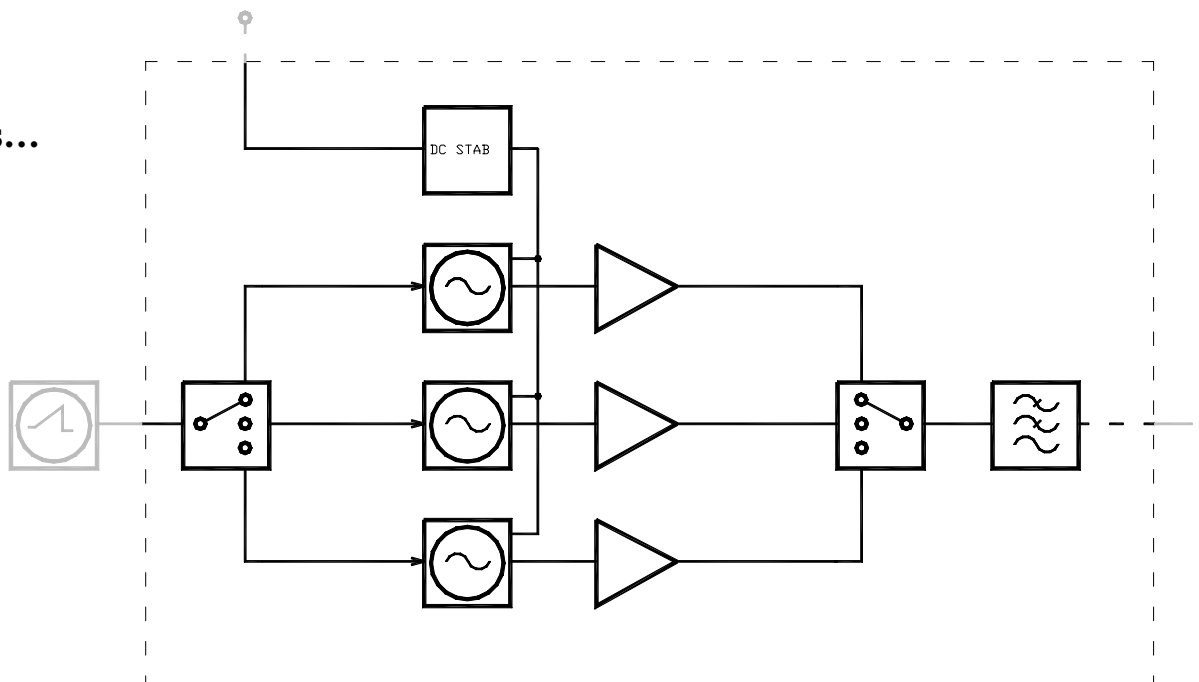
Nov 1, 2005

## Ultra Wide Band VCO

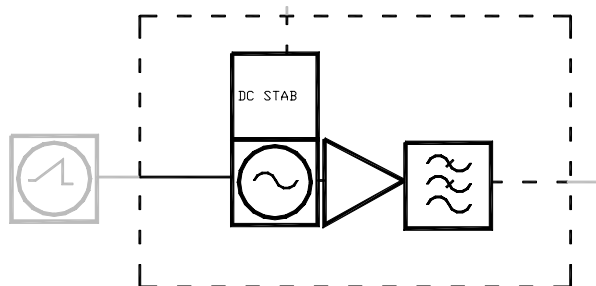
*"A solution not just a Component"*

Our Ultra Wide Band solution enable simplified design resulting in reduced cost and reliable systems.

Replace this...



**With Sivers IMAs Ultra Wide Band Solution**



Nov 1, 2005