

Wide Band VCO

3.0 to 5.0 GHz

Electrical specification

Type number	VO4280S/00		
Package	SMA house		
Parameter	Min.	Max.	Unit
Parameter	Min.	Max.	Unit
Frequency range*	3.0	5.0	GHz
Output power, over all*	14	19	dBm
Power vs. frequency*		4	dB
Power vs. temperature*		2	dB
Temperature drift *		3	MHz/°C
2:nd harmonic		- 25	dBc
Spurious		- 60	dBc
FM noise* (SSB) 100 kHz 1MHz		-90 -110	dBc/Hz dBc/Hz
Tuning voltage*	0	+20	V
Tuning sensitivity*	50	300	MHz/V
Non-linearity		±10	%
Pulling, VSWR 1.5:1		±2	MHz
Pushing 11.5-12.5 V		1	MHz/V
Slew rate	20		GHz/μs
Modulation bandwidth	10		MHz
PTD 1μs to 1s after freq. jump		±25	MHz

$T_a = 25^\circ\text{C}$, unless otherwise stated.



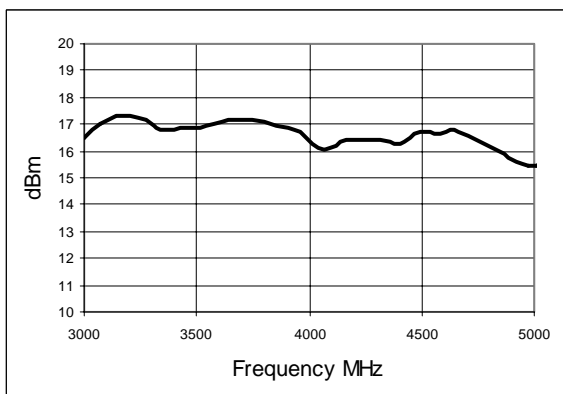
Dimensions
44.0×31.0×10.0mm

Note:
* 100% tested and guaranteed values. Other data are indicative

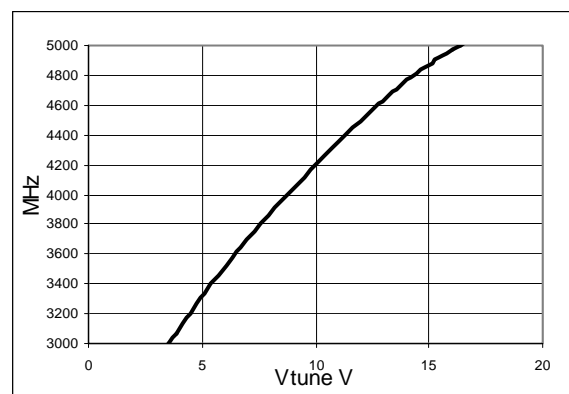
Interface/environmental specification

Parameter	Min.	Max.	Unit
Bias voltage	11	16	V
Bias current*		200	mA
Tuning voltage (damage level)		21	V
Operating temperature	0	+60	°C
Storage temperature	-50	+100	°C

Typical Pout vs. frequency



Typical frequency vs. Vtune

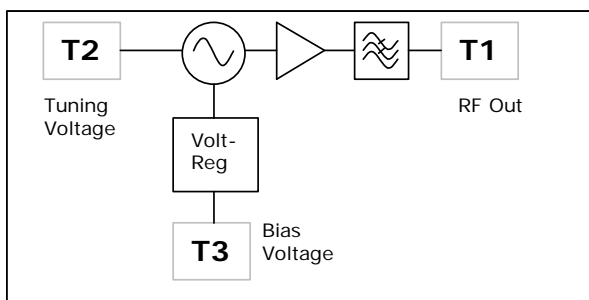


Data subject to change without notice. Rev.A 2006-09-30

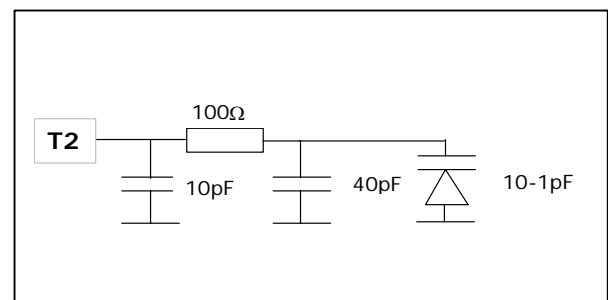
Wide Band VCO

3.0 to 5.0 GHz

Simplified block diagram



Tuning input interface



Data subject to change without notice. Rev.A 2006-08-22