

# Wide Band VCO

# VO3260S/01

## Electrical specification

Parameter	Min.	Typ.	Max.	Unit
Frequency range*	2		3	GHz
Output power, over all*	14		19	dBm
Power vs. frequency*		2.5	4	dB
Power vs. temperature*		1	2	dB
Temperature drift *		2.5	3	MHz/°C
2:nd harmonic		-30	- 25	dBc
Spurious			- 60	dBc
FM noise* (SSB) 100 kHz 1MHz		-99 -124	-90 -110	dBc/Hz dBc/Hz
Tuning voltage*	0		+20	V
Tuning sensitivity*	50		300	MHz/V
Non-linearity			±10	%
Pulling, VSWR 1.5:1		±0.1	±2	MHz
Pushing		0.2	1	MHz/V
Slew rate	20	40		GHz/μs
Modulation bandwidth	10	13		MHz
PTD**			±25	MHz

T<sub>a</sub> = 25°C, unless otherwise stated.

**Notes:**

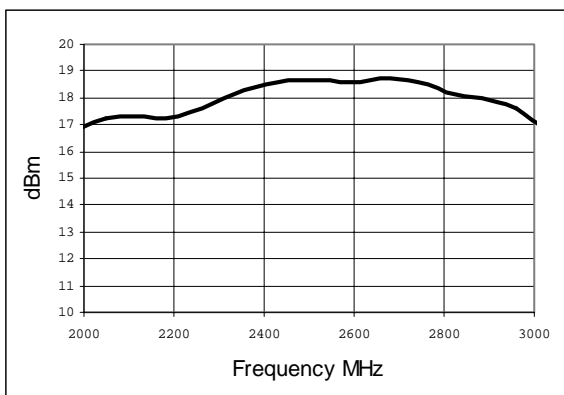
\* 100% tested and guaranteed values. Other data are indicative.

\*\* from 1μs to 1s after frequency jump

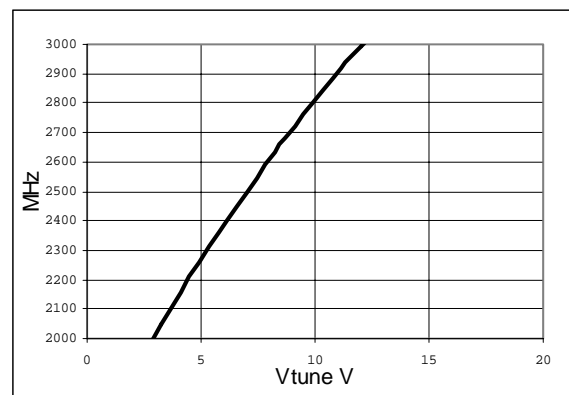
## Interface/environmental specification

Parameter	Min	Max	Unit
Bias voltage	14.6	16	V
Bias current*		250	mA
Tuning voltage (damage level)		23	V
Operating temperature	0	+60	°C
Storage temperature	-50	+100	°C
Weight		7	g

### Typical Pout vs. frequency



### Typical frequency vs. Vtune

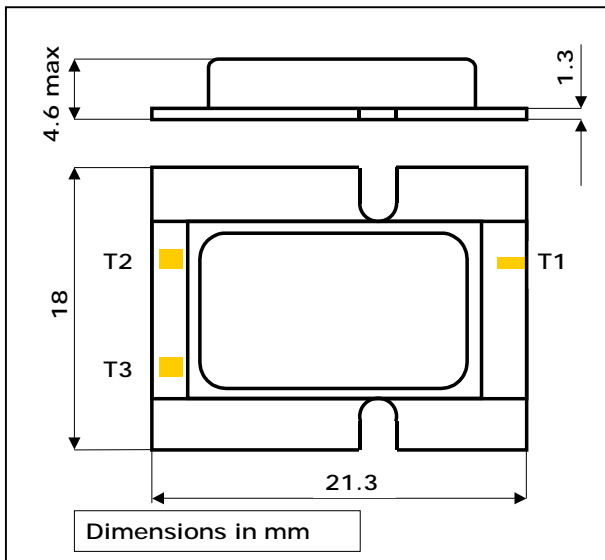


Note: Actual performance for each individual is stored in standard file format !

# Wide Band VCO

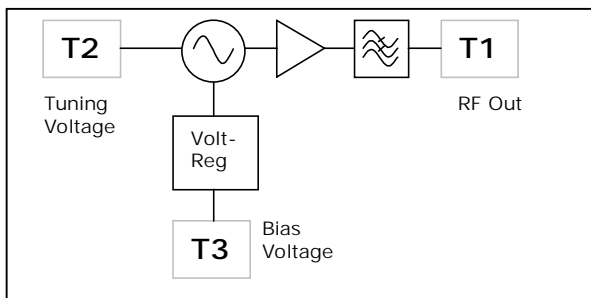
# VO3260S/01

## Outline drawing

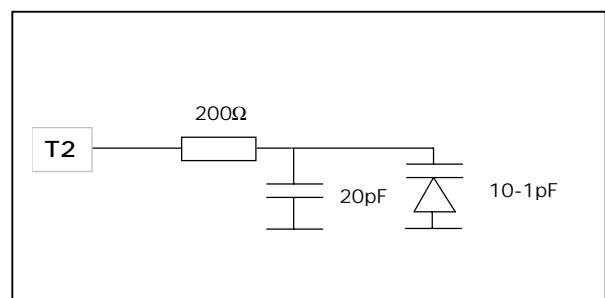


T1	RF Out (50 Ω)	Bond Pad	0.25 x 0.50 mm
T2	Tuning Voltage	Bond Pad	0.80 x 0.80 mm
T3	Bias Voltage	Bond Pad	0.80 x 0.80 mm

## Simplified block diagram



## Tuning input interface



Data subject to change without notice.  
SPLT6015\_C\_VO3260S01.doc